

Efforts Aimed at Alleviating Transportation Problems in Greater Tokyo

Chuo Line, Ome Line, Itsukaichi Line:
Replacing Rolling Stock with ones that do not malfunction (Series E233)



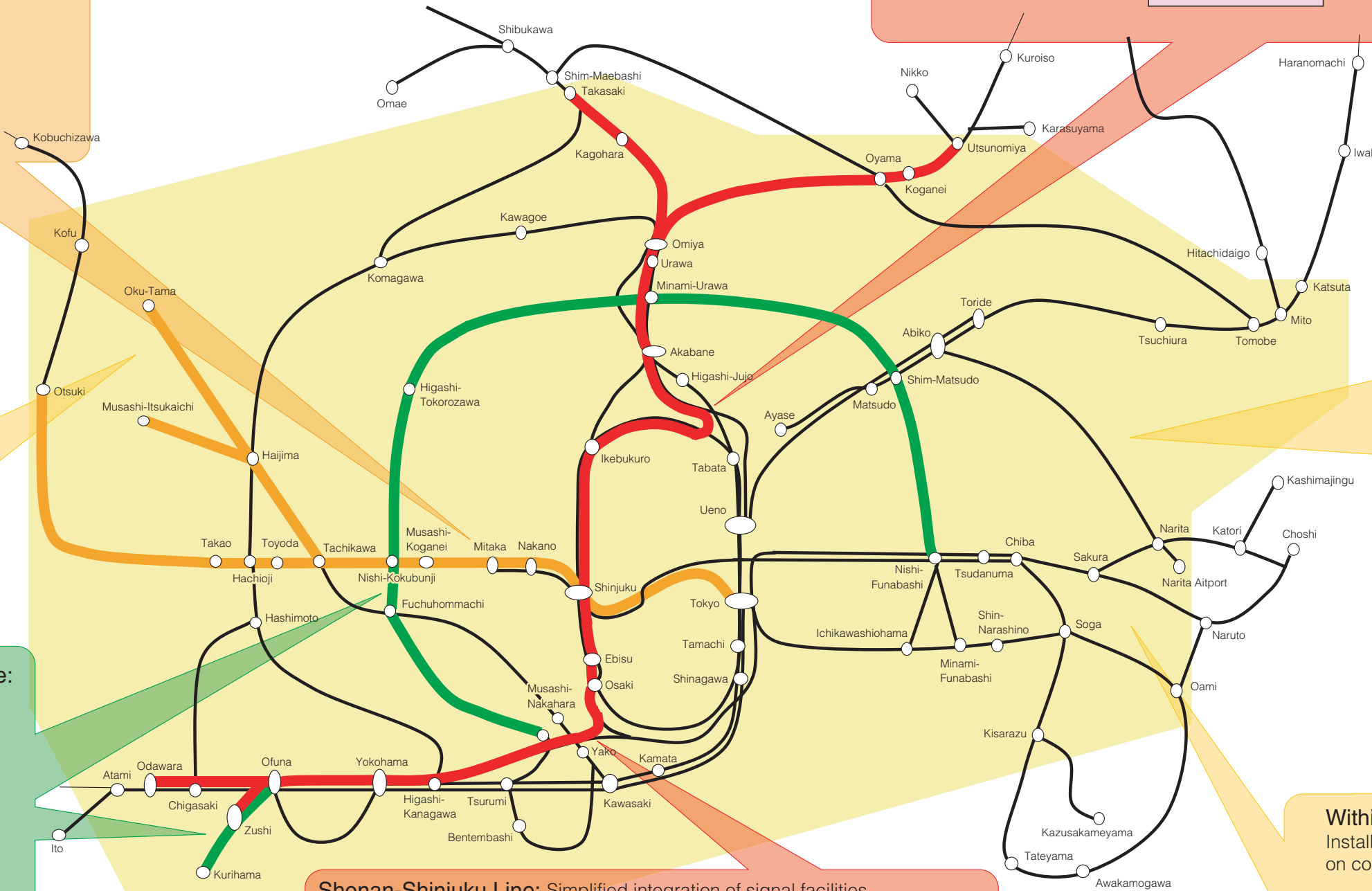
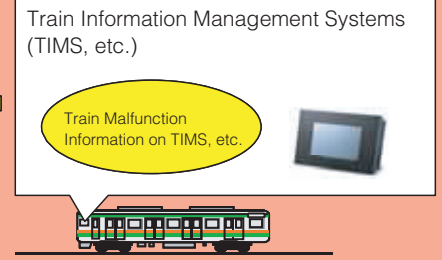
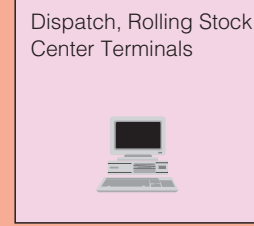
Major Sections within Area
194 sets of next-generation turnouts installed at 46 stations



Yokosuka Line, Musashino Line:
ATOS expansion

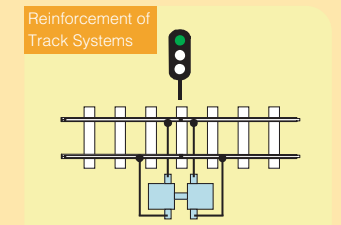
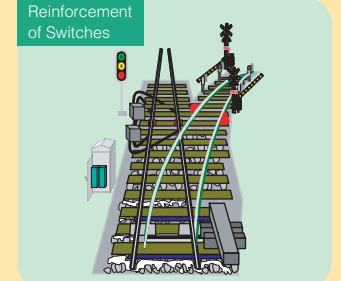


Shonan-Shinjuku Line:
Installation of rolling stock break-down communication systems (already installed on the Yamanote Line)

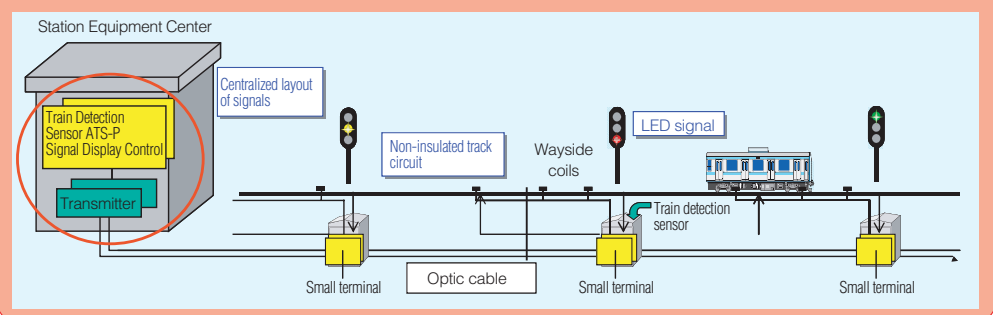


Major Sectors within Area

- Measures to prevent safety devices from malfunctioning
- Measures to prevent switches from malfunctioning:
Approximately 540 locations
- Measures to prevent lightning damage to signals:
Approximately 90 locations
- Measures to prevent track circuit malfunctions:
Approximately 13,000 locations



Shonan-Shinjuku Line: Simplified integration of signal facilities



Within the Area

Installation of digital radio communications on conventional lines (26 sections, 1,566 km)

Application Example (Report Transmission System)

